

GP Batteries

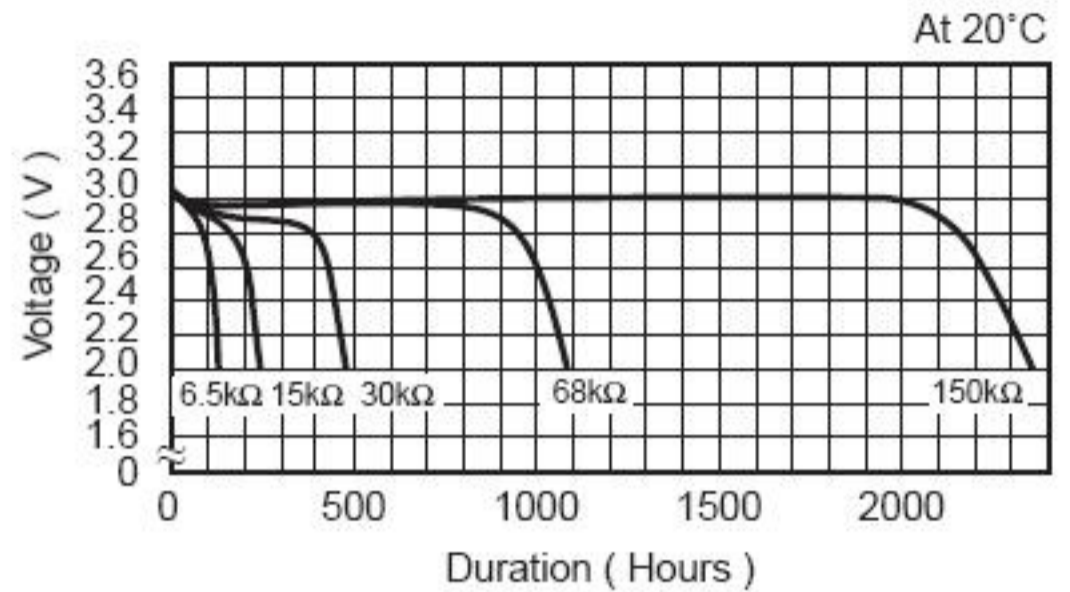
Data Sheet

Model No.: CR1616

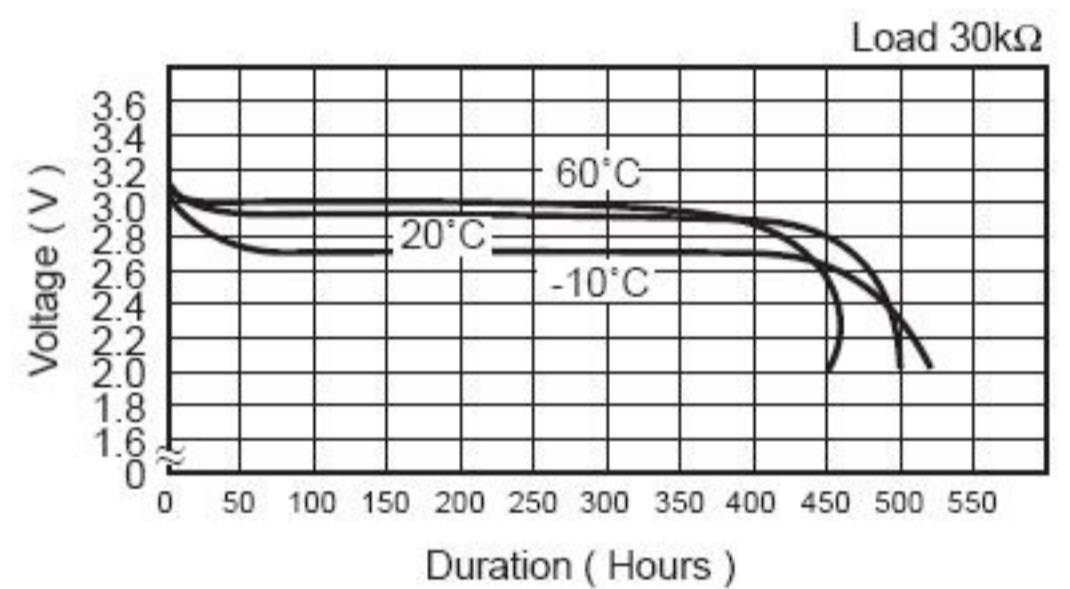
Description : Flat Lithium Battery
 Chemical system : Lithium Manganese Dioxide
 Nominal voltage : 3 Volts
 Nominal capacity : 55mAh
 Dimensions : $\varnothing 16.0 \times 1.6\text{mm}$

Average weight : 1.1 grams
 Applications : watch, calculator, camera and memory back up.

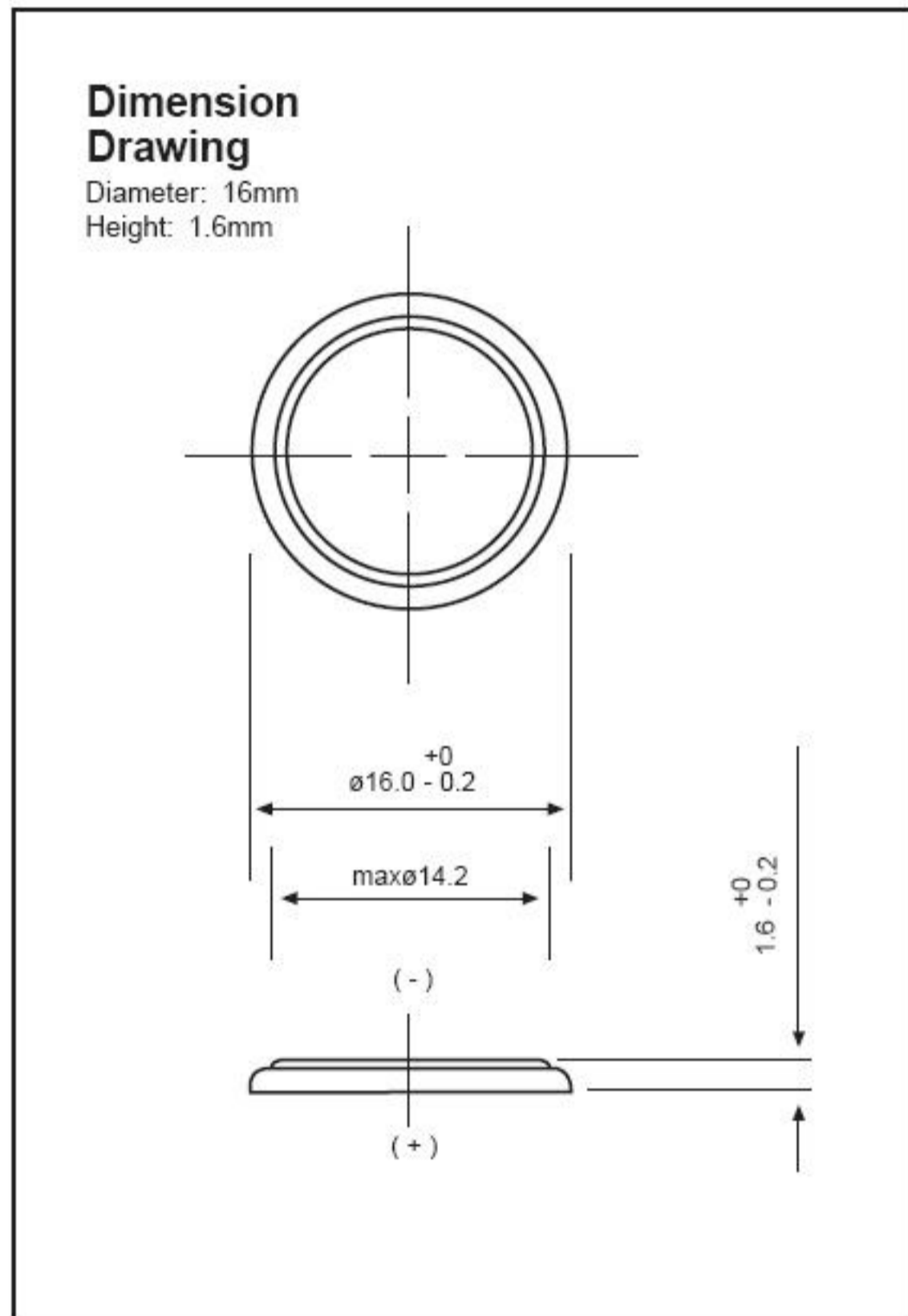
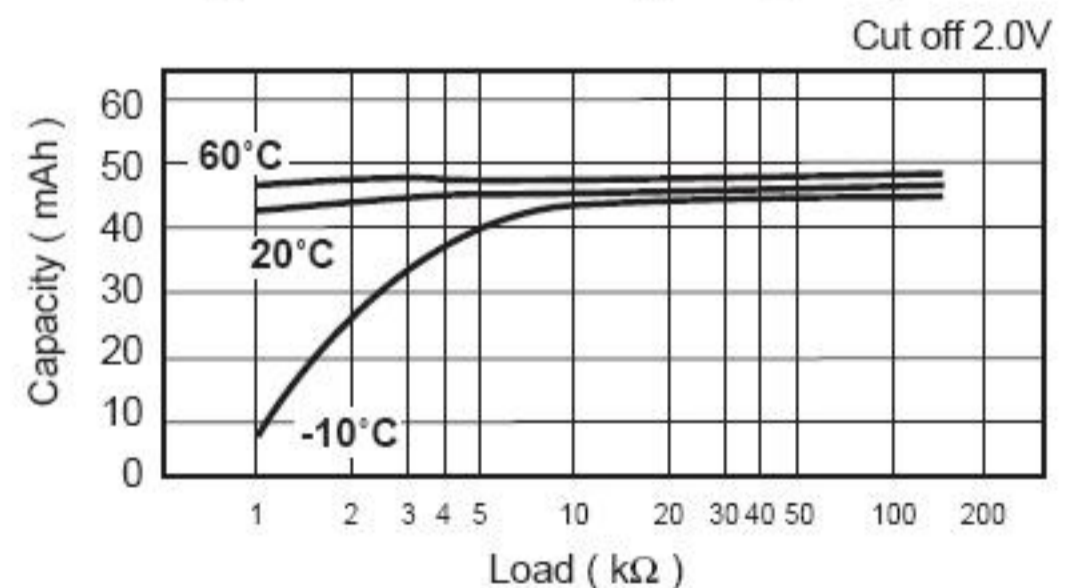
Discharge characteristics



Discharge characteristic on temperature



Discharge load vs discharge capacity



Cross Reference:

IEC	JIS	Eveready	Varta
CR1616	CR1616	ECR1616	CR1616