

# GP Batteries

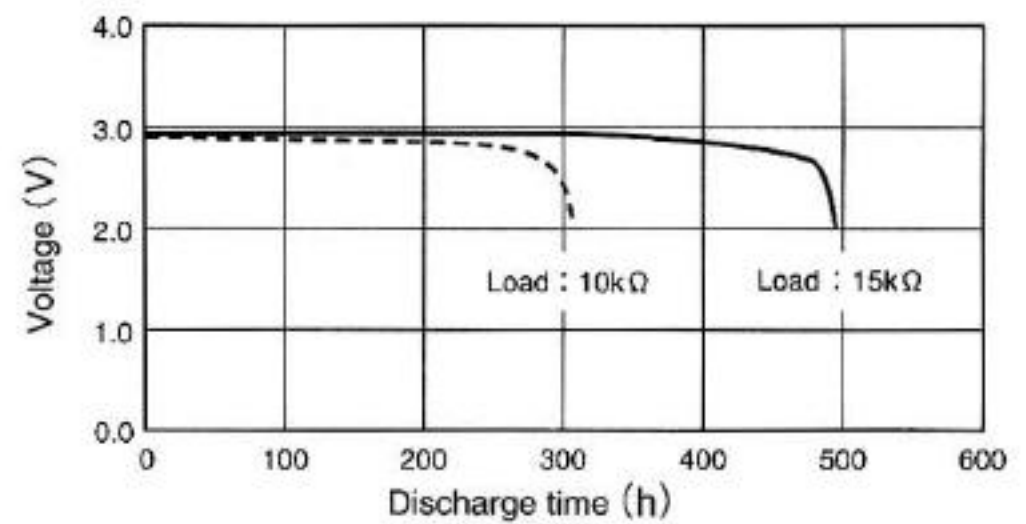
## Data Sheet

Model No.: CR2016

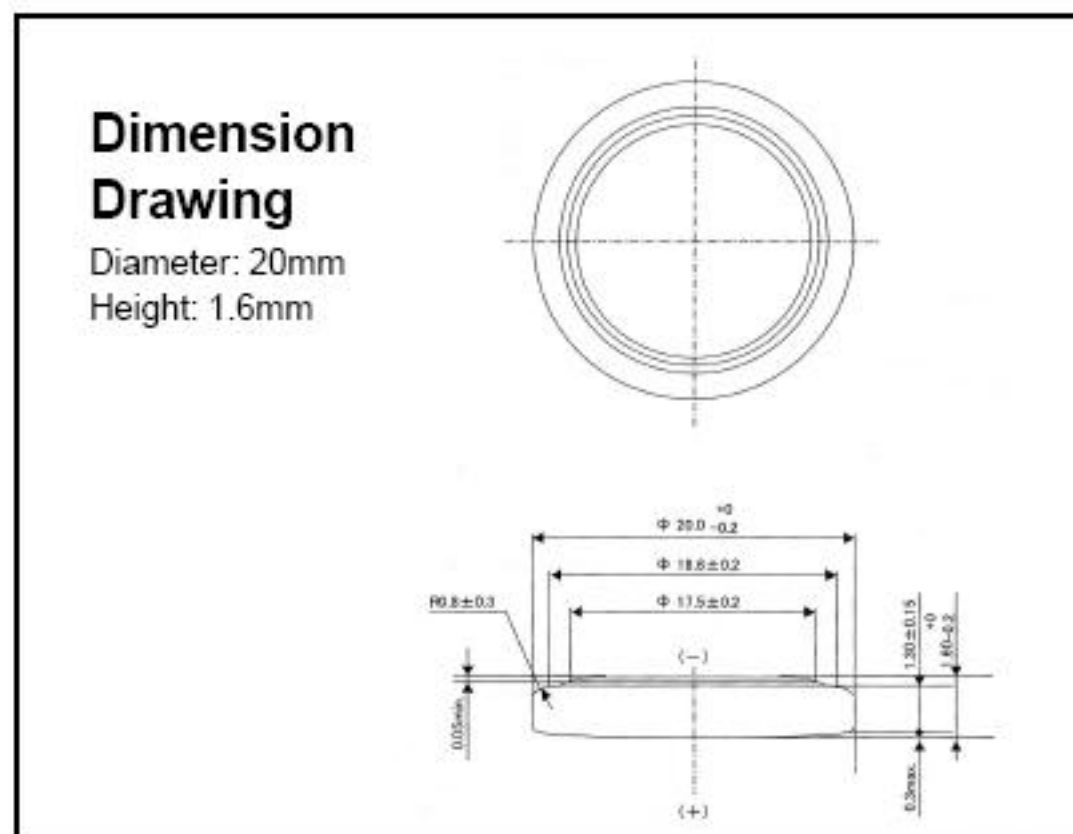
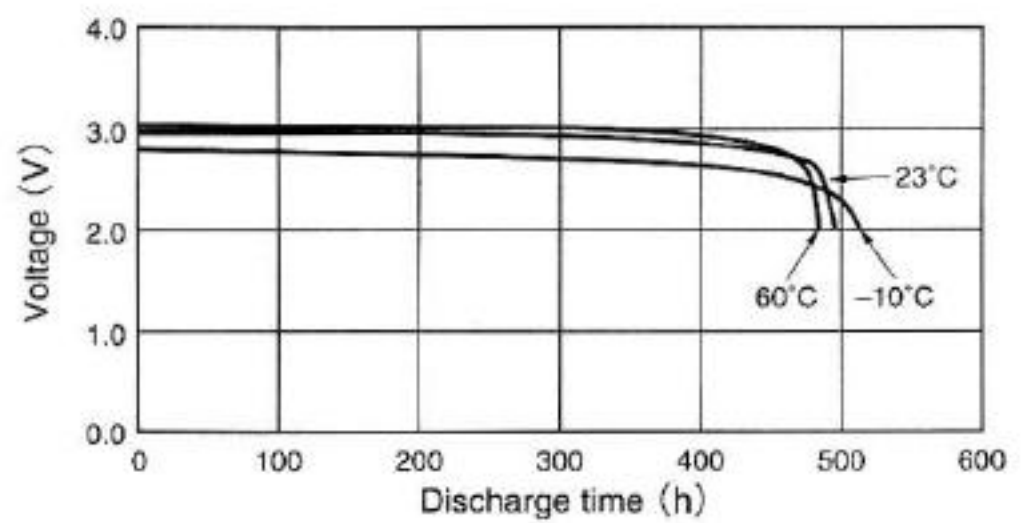
Description : Flat Lithium Battery  
 Chemical system : Lithium Manganese Dioxide  
 Nominal voltage : 3 Volts  
 Nominal capacity : 90mAh  
 Dimensions :  $\phi 20.0 \times 1.6\text{mm}$

Average weight : 1.7 grams  
 Applications : Computer memory back up,  
 photo

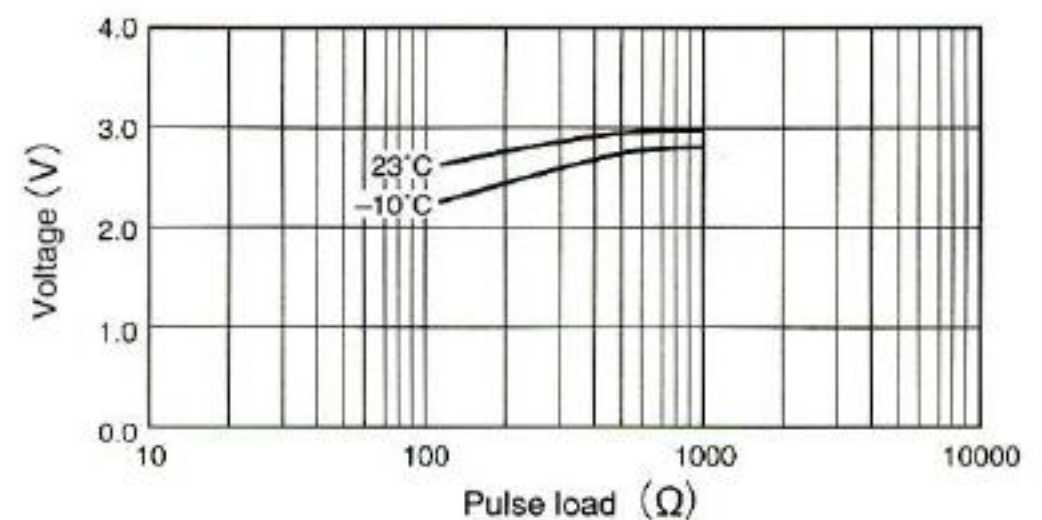
### Discharge Characteristics on Load



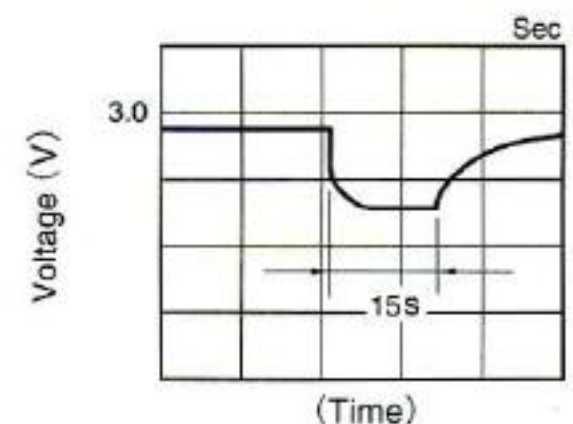
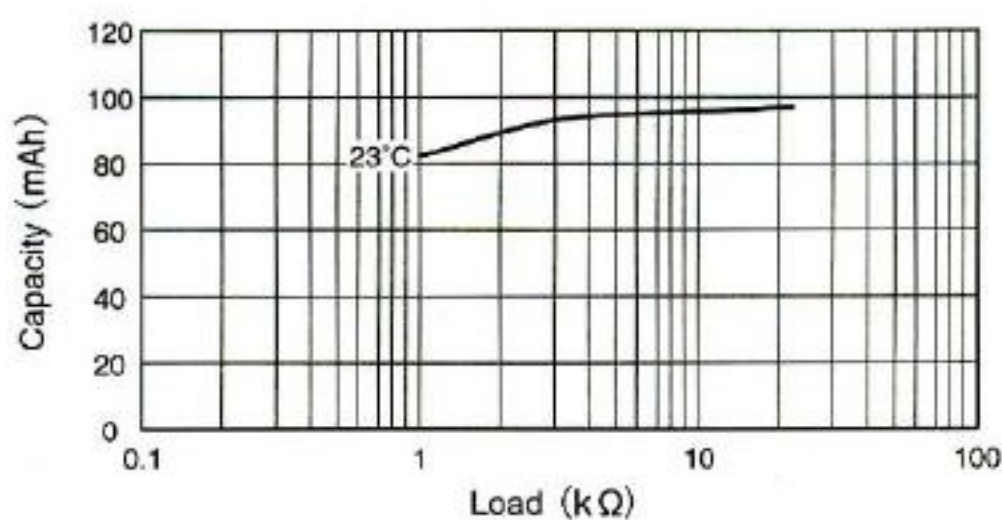
### Discharge Characteristics on Temperature



### Discharge Characteristics on Pulse Load



### Discharge Load vs. Discharge Capacity



### Cross References:

IEC	JIS	Eveready	Varta	Duracell
CR2016	CR2016	ECR2016	CR2016	DL2016

