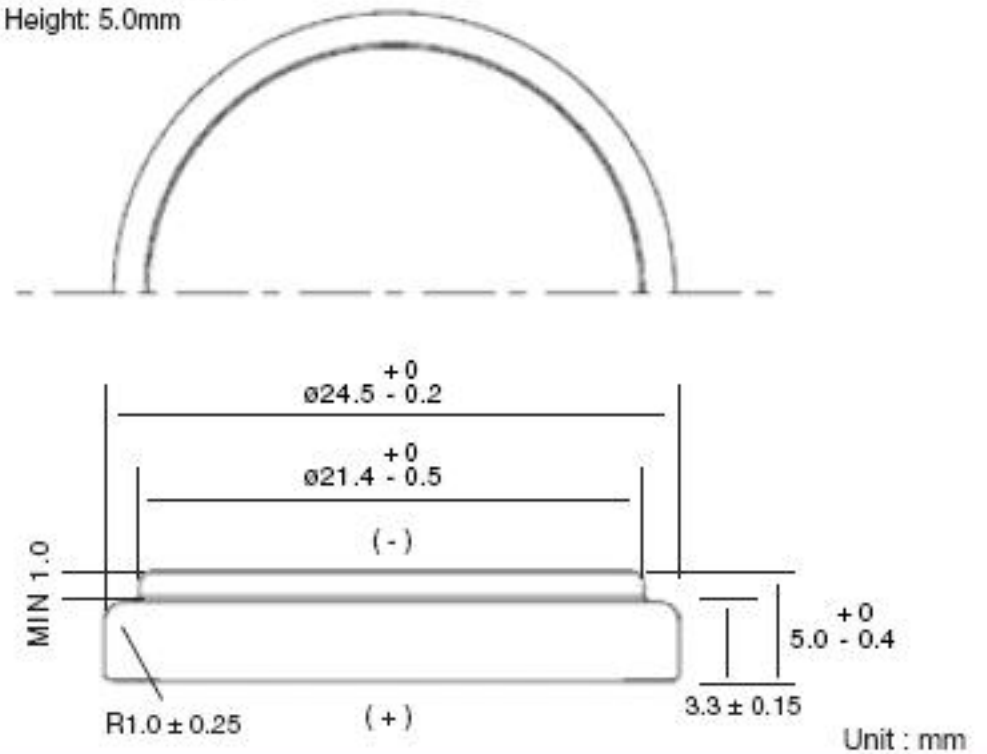


Model No.: GPCR2450

| | |
|-------------------------|---|
| Description | : Flat Lithium Battery |
| Chemical System | : Lithium Manganese Dioxide |
| Nominal Voltage | : 3.0 Volts |
| Nominal Capacity | : 600mAh |
| Dimensions | : 24.5 x 5.0 mm |
| Average Weight | : 6.6g |
| Application | : Watch, calculator, camera and memory back up. |

Dimension Drawing

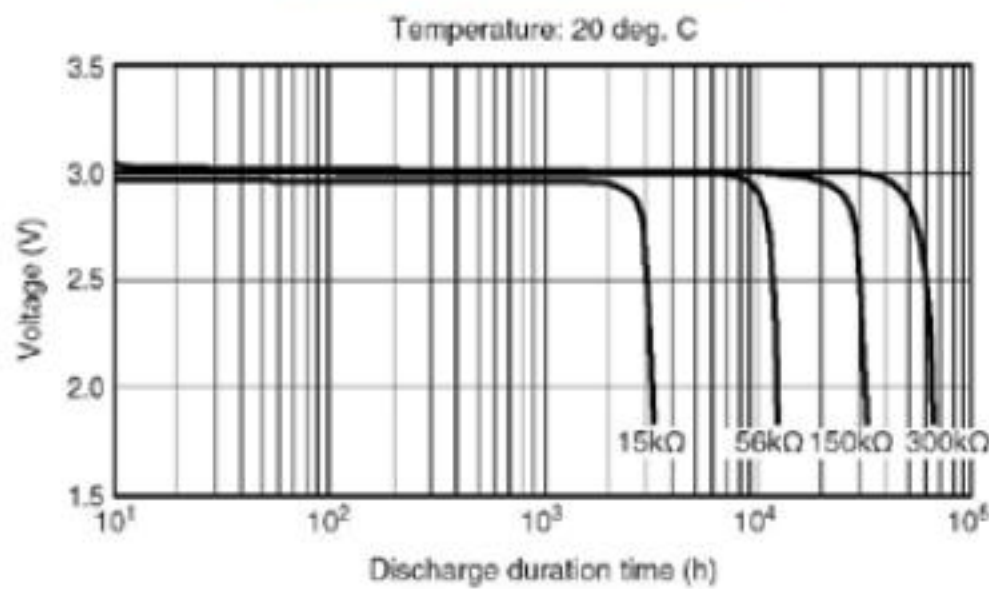
Diameter: 24.5mm
Height: 5.0mm



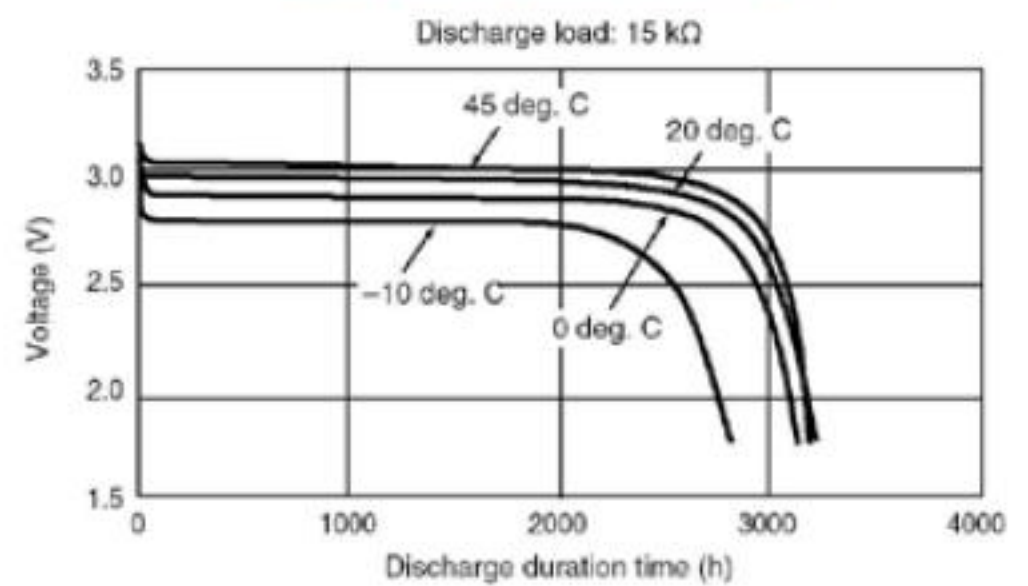
Cross References:

| GP | IEC | JIS | Eveready | Varta |
|--------|--------|--------|----------|--------|
| CR2450 | CR2450 | CR2450 | ECR2450 | CR2450 |

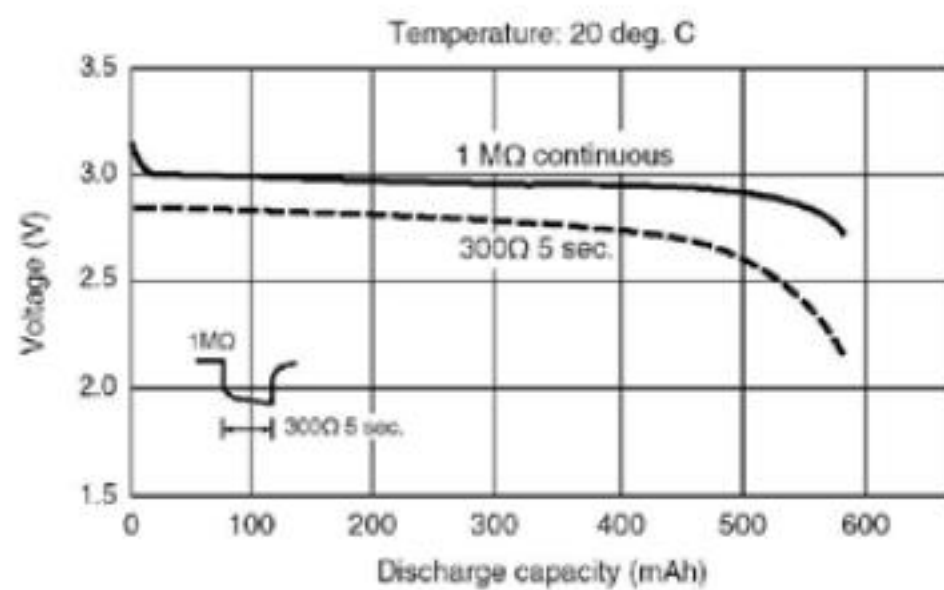
Discharge Characteristics



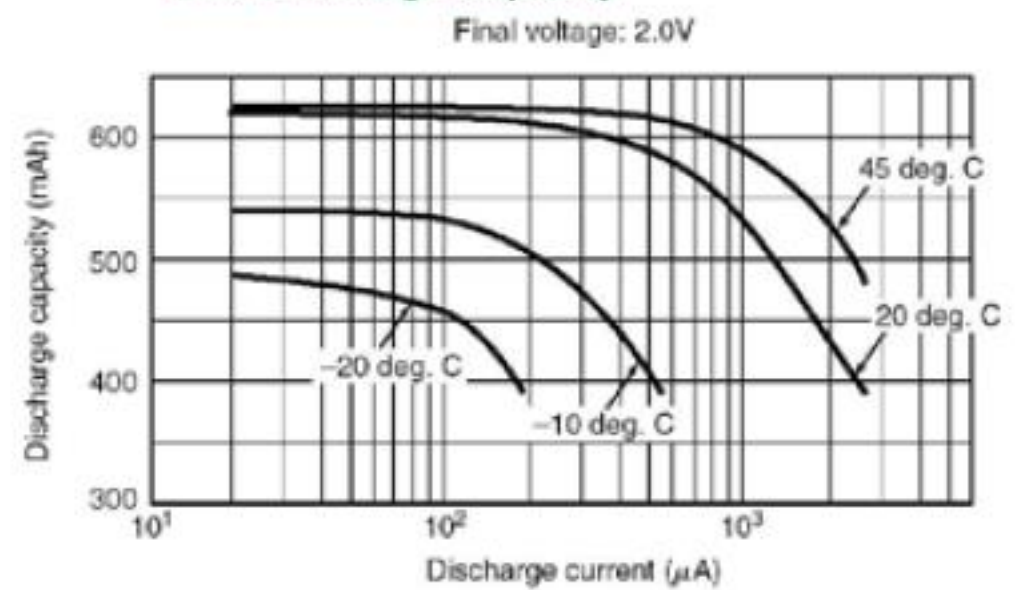
Temperature Characteristics



Pulse Discharge Characteristics



Relationship between Discharge Current and Discharge Capacity



The information (subject to change without prior notice) contained in this document is for reference only and should not be used as a basis for product guarantee or warranty. For applications other than those described here, please consult your nearest GP Sales and Marketing Office or Distributors.