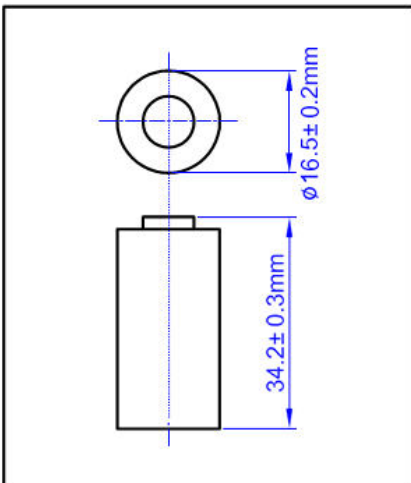


CR123A 电池规格书 PRODUCT DATASHEET

1. SPECIFICATION

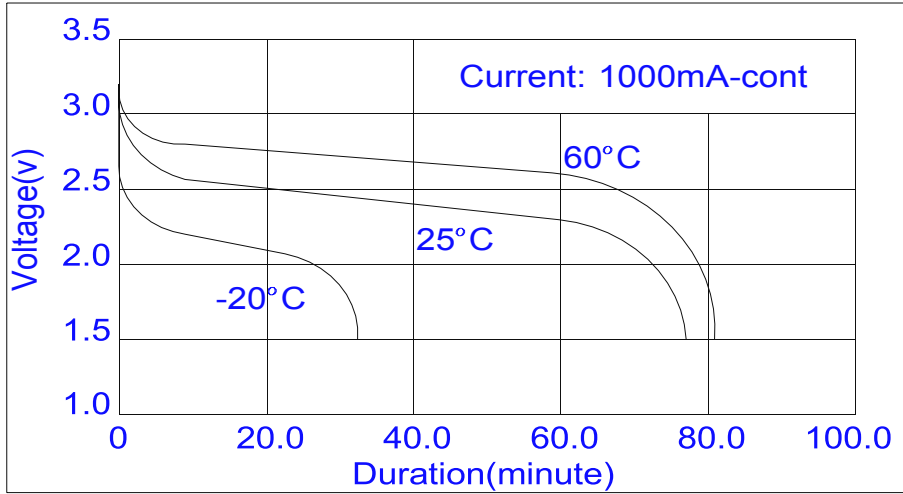
No.序号	Item 项目	Specifications 规格
1	System 体系	Li-Manganese dioxide/Organic Electrolyte 锂-二氧化锰/有机电解液
2	Rated capacity 标称容量	
	1.0mA discharge 20mA 放电 Discharge end-point voltage 放电终止电压	1600mAh 2.0V
3	Rated voltage 额定电压	3.0V
4	Off-load voltage 开路电压	3.05~3.40V
5	Closed circuit voltage 负载电压 (3.9Ω, 0.5 second)	≥2.60V
6	Pack weight 电池组重量	Approx. 16.0±0.5g
7	Operating temperature 工作温度范围	- 40°C ~ + 70°C
8	Storage temperature 贮存温度	10°C ~ 25°C
9	Height (A) : 总高 (A)	34.2±0.3mm
	Diameter (C) : 外径 (C)	16.5±0.2mm
10	Storage life 储存寿命	5years

2. DIMENSION

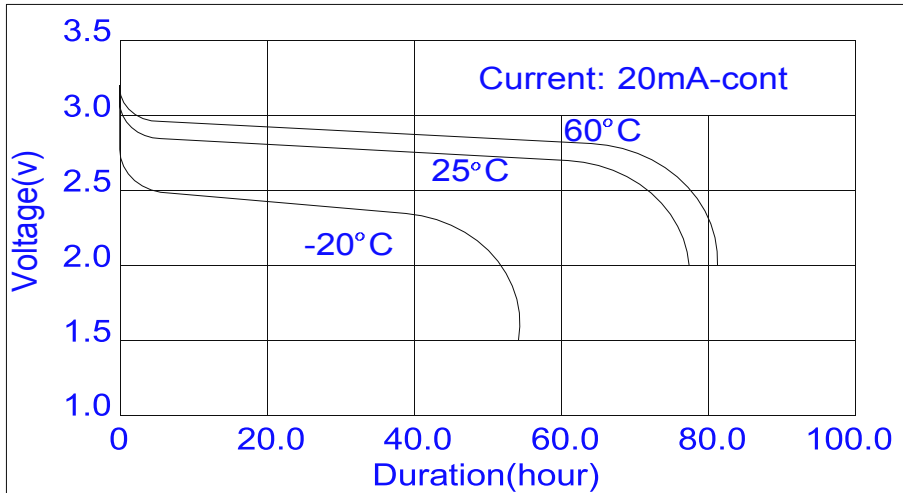


3. DISCHARGE CHARACTERISTICS

Discharge Characteristics



Discharge Characteristics



Pulse Discharge Characteristics

