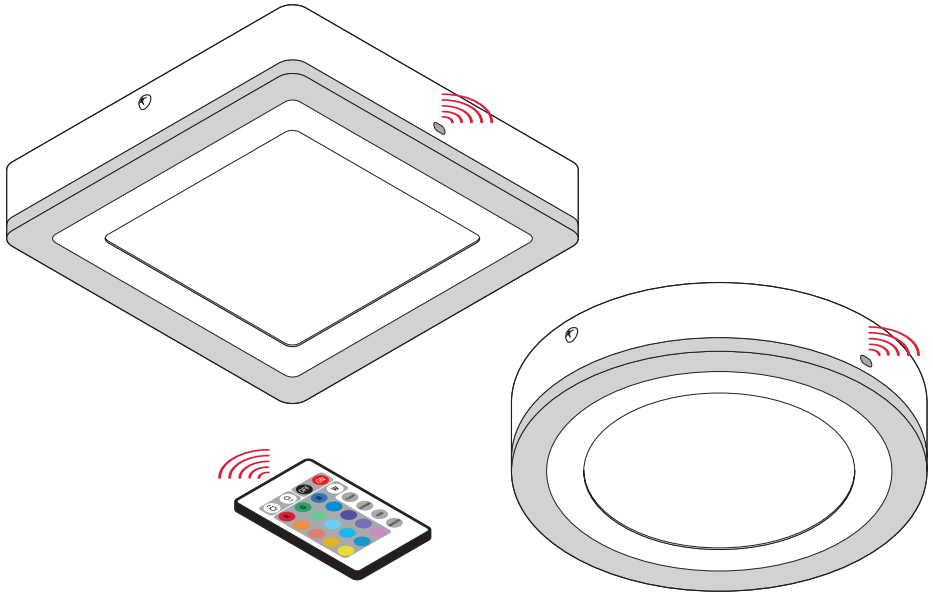


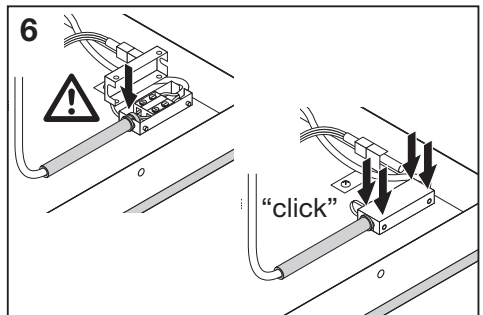
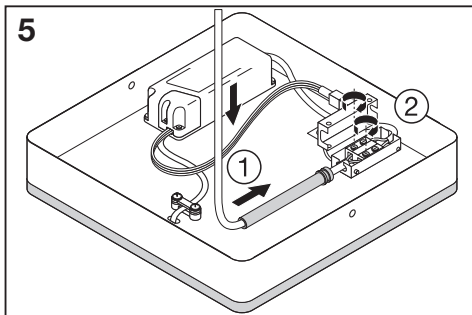
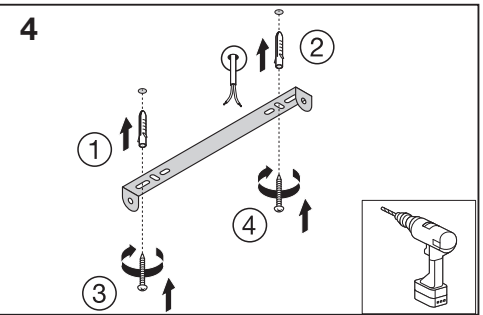
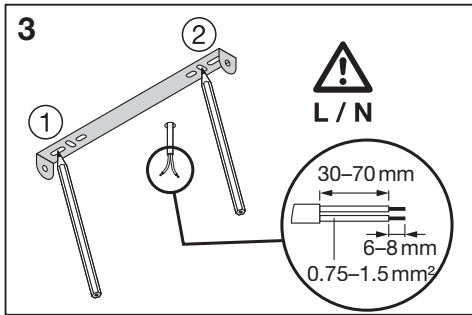
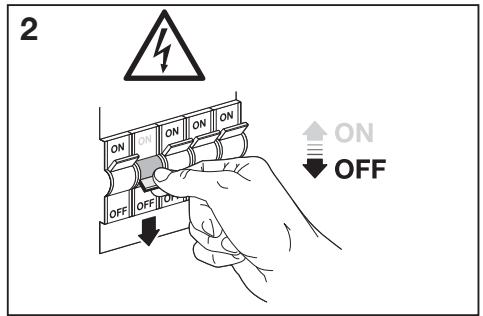
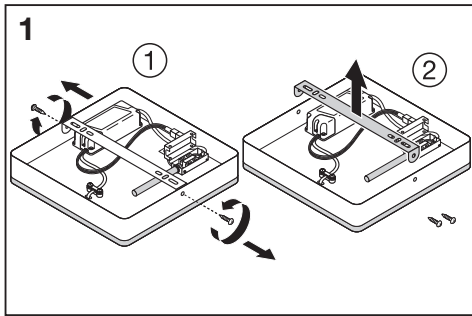
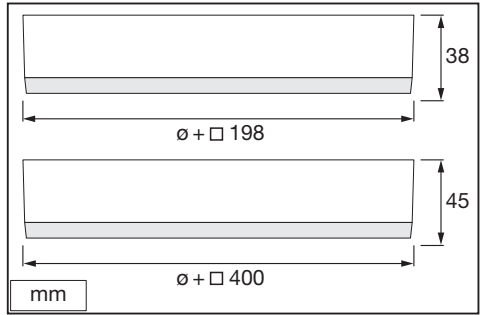
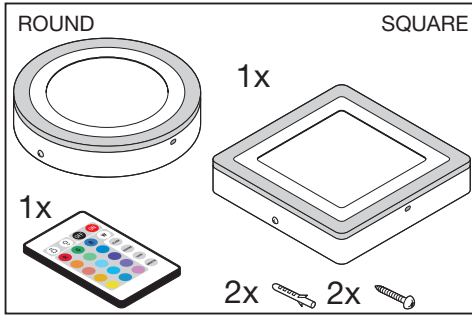
---

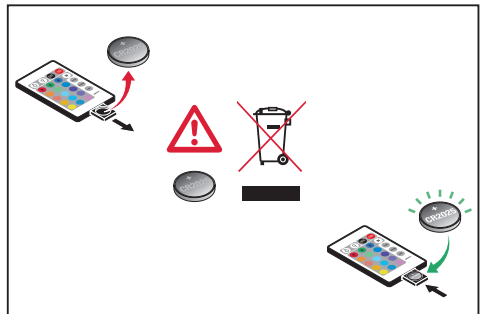
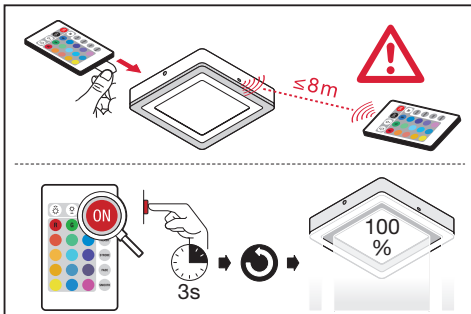
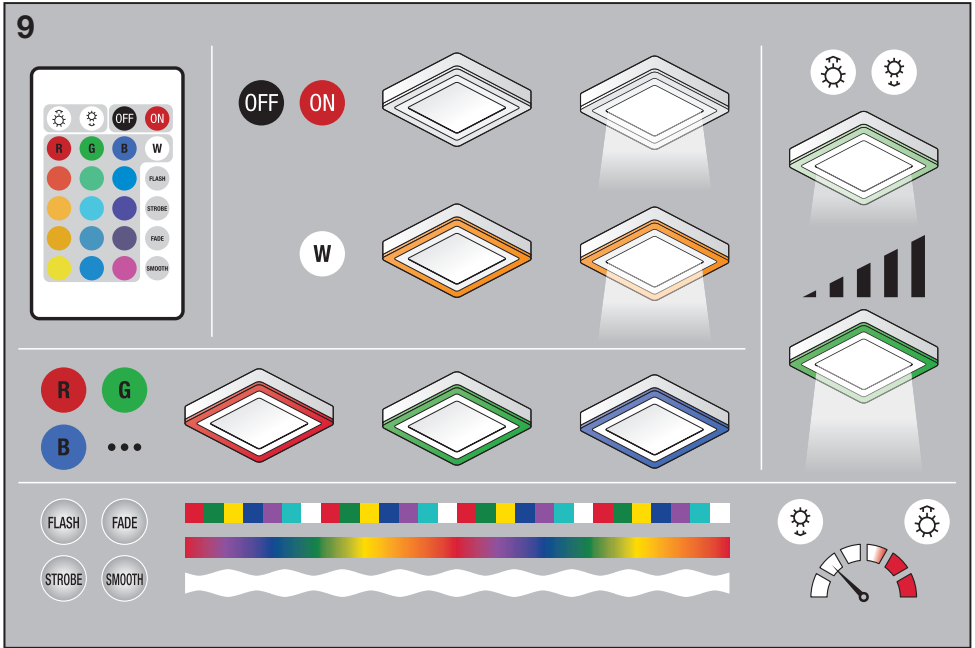
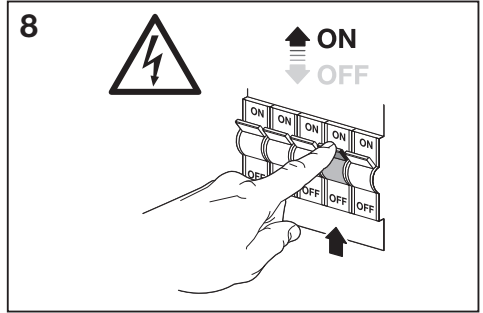
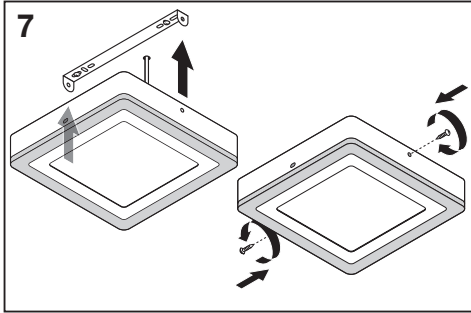
**LED COLOR WHITE**






---



	EAN	W	lm	K	⊖ (°C)	V~	mA	Hz	DF	👤
<b>LED COLOR WHITE RD 200MM 18W</b>	4058075227590	18	650	3000	-20...+40	220-240	79	50/60	>0.7	0.6 kg
<b>LED COLOR WHITE SQ 200MM 17W</b>	4058075227576	17	700	3000	-20...+40	220-240	72	50/60	>0.7	0.7 kg
<b>LED COLOR WHITE RD 400MM 28W</b>	4058075265721	28	1550	3000	-20...+40	220-240	123	50/60	>0.7	2.3 kg
<b>LED COLOR WHITE SQ 400MM 30W</b>	4058075265769	30	1600	3000	-20...+40	220-240	133	50/60	>0.7	2.7 kg





	EAN	This product contains a light source of energy efficiency class	Contained Light Source
LED COLOR WHITE RD 200MM 18W	4058075227590	E	
LED COLOR WHITE SQ 200MM 17W	4058075227576	E	
LED COLOR WHITE RD 400MM 28W	4058075265721	E	
LED COLOR WHITE SQ 400MM 30W	4058075265769	E	



C10449057  
G11125054  
15.07.2021



LEDVANCE GmbH  
Steinerne Furt 62  
86167 Augsburg, Germany  
[www.ledvance.com](http://www.ledvance.com)